



MUD BUDDY
Outdoors
Est. 1994



Give Your Boat a Whole New Gear



Patented bearing and seal system keeps mud and debris out.



New - HDR Electric Shift with Reverse

- Cast Aluminum Frame
- Stainless Drive Tube
- Mercury Trim
- Handle End Controls
- 44mm Mikuni Carb
- Performance Q Muffler
- Performance Heads
- Stainless Throttle
- Remote Steer Option

Hyper Grass Camo Shown

4400 Black Death

Two Transmission Types:
 HDR with Electric Shift Forward, Neutral and Reverse
 HD with Forward and Neutral

www.MudBuddy.com

| Engine | Transom Height | Frame | Drive Length | Propellers | Warranty | Camo Options |
|--------------------------------------|-----------------------------------|---------------------------------|--------------|-----------------------------------|-------------------------|-----------------------------------|
| 4400 BPS <i>Aprox. 295 pounds</i> | 15" - 17" Short 19" - 21" Tall | Fully Cast Aluminum & Stainless | 34 inch | Big Blade Hammer Raptor (3 Blade) | One Year Frame & Engine | Hyper Grass Natural Gear Optifade |



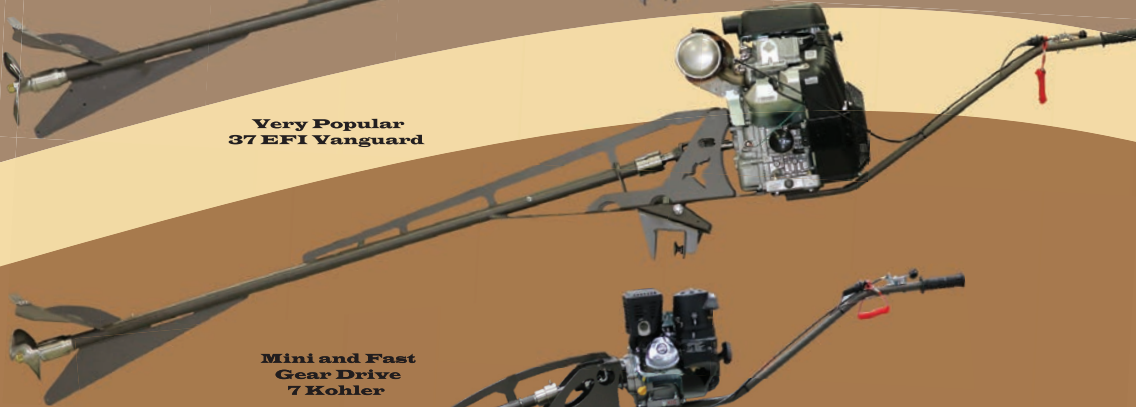
King of Backwater Motors

New Super Longtail

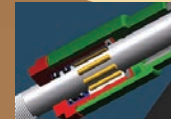
Belt Drive Reduction
Electric Shift Neutral
Increased Speed



Very Popular
37 EFI Vanguard



Mini and Fast
Gear Drive
7 Kohler



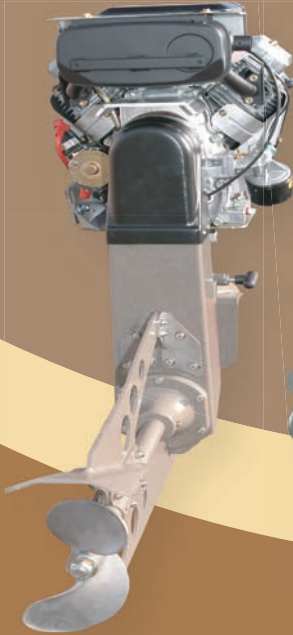
Patented
Bearing Drive

Longtails

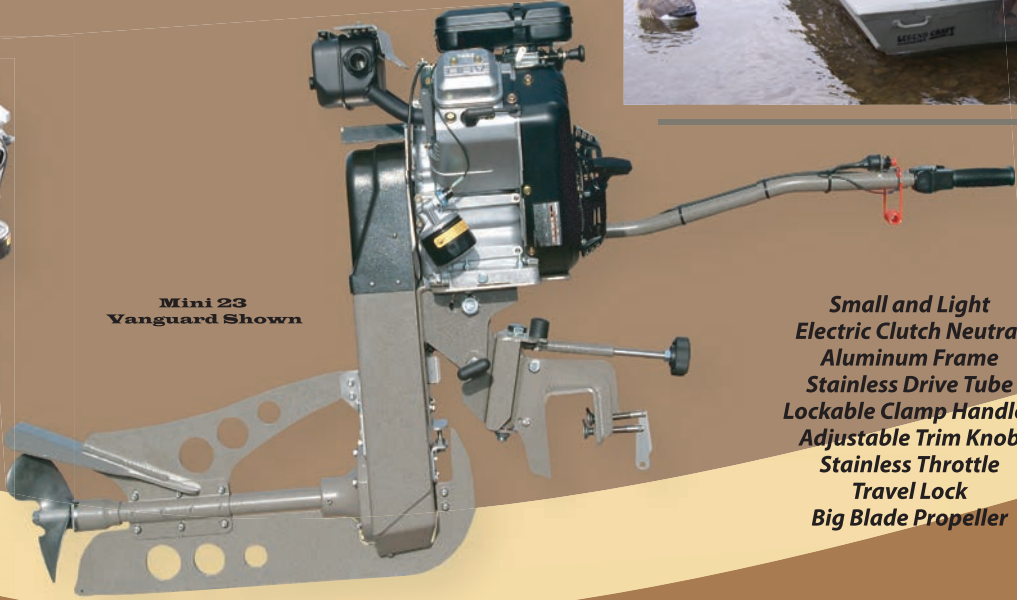
Without a doubt, this is the most advanced longtail frame design, featuring a patented bearing drive, superior fit and finish and superb handling.

www.MudBuddy.com

| Model | Drive Shaft | Frame | Drive Length | Propeller | Warranty | Camo Options |
|--|----------------|---------------------------------|-----------------------------------|--------------------|---|---|
| 37 EFI 35 CDI 25 CDI 7 Kohler | 3/4" Stainless | One Piece Uniframe Design | Tall 72" Short 68" Mini 62" | Tiger Big Blade | Three Year Engine One Year Frame | Hyper Grass Natural Gear Optifade |



**Mini 23
Vanguard Shown**



- Small and Light*
- Electric Clutch Neutral*
- Aluminum Frame*
- Stainless Drive Tube*
- Lockable Clamp Handles*
- Adjustable Trim Knob*
- Stainless Throttle*
- Travel Lock*
- Big Blade Propeller*

Mini Belt Drive

*Amazing power.
Belt drive with electric clutch
neutral and forward gears.*

www.MudBuddy.com

| Engines | Transom Height | Frame | Drive Length | Propeller | Warranty | Camo Options |
|--|-----------------------------------|---------------------------------------|--------------|-----------|---|---|
| Vanguard 23 & Kohler 25 <i>Aprox. 190 pounds</i> | 15" - 17" Short 19" - 21" Tall | Fully Cast Aluminum & Stainless | 27 inc | Big Blade | Three Year Engine One Year Frame | Hyper Grass Natural Gear Optifade |



King of Backwater Motors™

Handle end shift, trim, kill and throttle control. F-N-R



New - HDR Electric Shift with Reverse

- Cast Aluminum Frame
- Stainless Drive Tube
- Stainless Muffler
- Handle End Controls
- Lockable Clamp Handles
- Stainless Throttle
- Travel Lock
- Q Muffler Option (shown)
- Remote Steer Option

Natural Gear Camo Shown

37 EFI

Two transmission types:
HDR with Electric Shift Forward, Neutral and Reverse
HD with Forward and Neutral

www.MudBuddy.com

| Engine | Transom Height | Frame | Drive Length | Propellers | Warranty | Camo Options |
|---|-----------------------------------|---------------------------------|--------------|-----------------------------------|-------------------------------------|---|
| 37 EFI Vanguard <i>Aprox. 295 pounds</i> | 15" - 17" Short 19" - 21" Tall | Fully Cast Aluminum & Stainless | 34 inch | Big Blade Hammer Raptor (3 Blade) | Three Year Engine One Year Frame | Hyper Grass Natural Gear Optifade |



Shown with "Q" performance muffler.
Hyper Grass Camo (above)



New - HDR Electric Shift with Reverse

- Cast Aluminum Frame
- Stainless Drive Tube
- Stainless Muffler
- Mercury Trim
- Handle End Controls
- Lockable Clamp Handles
- Stainless Throttle
- Travel Lock
- Q Muffler Option
- Remote Steer Option

35 CDI

Two Transmission Types:
HDR with Electric Shift Forward, Neutral and Reverse
HD with Forward and Neutral

www.MudBuddy.com

| Engine | Transom Height | Frame | Drive Length | Propellers | Warranty | Camo Options |
|---|-----------------------------------|---------------------------------|--------------|-----------------------------------|-------------------------------------|-----------------------------------|
| 35 CDI Vanguard <i>Aprox. 295 pounds</i> | 15" - 17" Short 19" - 21" Tall | Fully Cast Aluminum & Stainless | 34 inch | Big Blade Hammer Raptor (3 Blade) | Three Year Engine One Year Frame | Hyper Grass Natural Gear Optifade |



King of Backwater Motors™

**4400 Black Death
with "Q"
Performance Muffler
& New Optifade Marsh Camo**



*Handle Shifter
Gear Drive F-N-R
Cast Aluminum Frame
Stainless Drive Tube
Mercury Trim
Lockable Clamp Handles
Stainless Muffler
Stainless Throttle
Remote Steer Option
Travel Lock*

Sport V

*Runs and handles like an outboard
with four-wheel drive. Amazing power.*

www.MudBuddy.com

| Engine | Transom Height | Frame | Drive Length | Propellers | Warranty | Camo Options |
|--|---|--|----------------|--|--|--|
| 4400 BD & 37EFI <i>Aprox. 310 pounds</i> | 15" - 17" Short 19" - 21" Tall | Fully Cast Aluminum & Stainless | 27 inch | Big Blade Hammer Raptor (3 Blade) | One Year 4400 Three Year 37EFI One Year Frame | Hyper Grass Natural Gear Optifade |

*New Optifade Camo
Available from Mud Buddy
Excel and Sitka Gear*



Visit Your Dealer



Mud Buddy
7956 South, 1530 West
West Jordan, Utah 84088
www.MudBuddy.com
801.352.8011